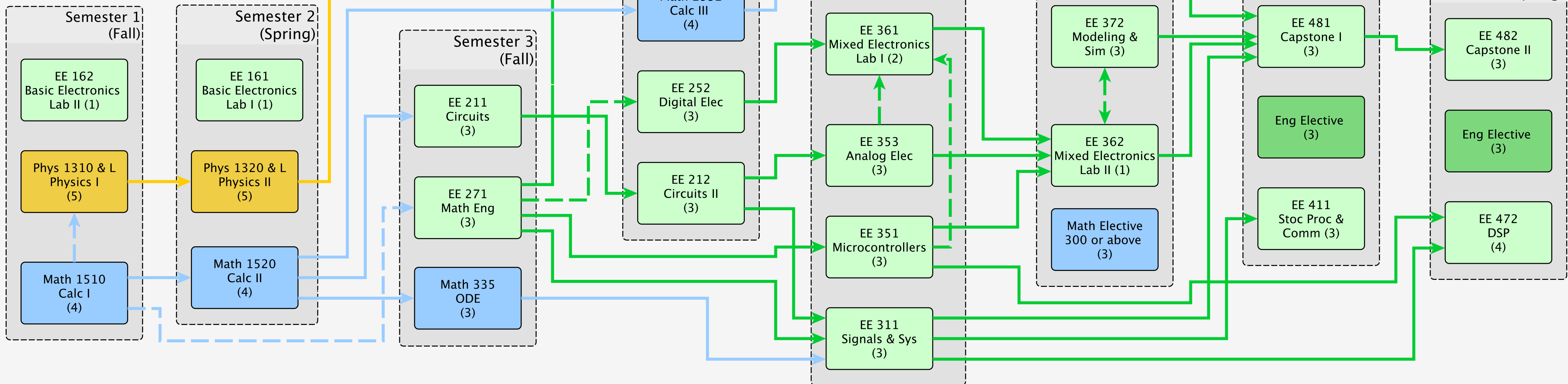
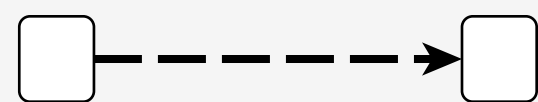
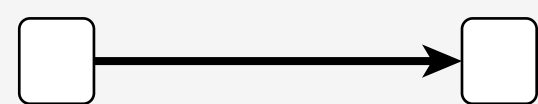


NMT Electrical Engineering Critical Path (120 Credit Hours Total)

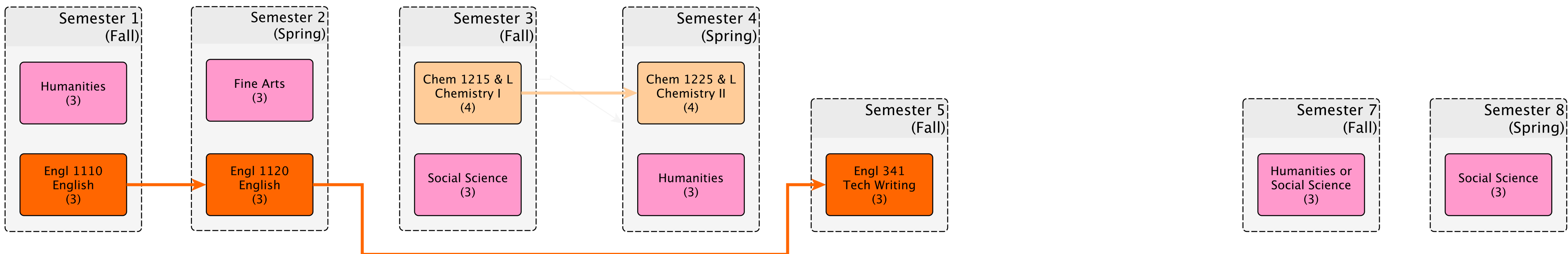
Projects will be selected as demonstrators of learning objectives for each semester.



Disclaimer: Use this document as only a general idea regarding the flow of the program. Changes may occur and requirements differ by the catalog you are under. Always check the course catalog as it is the ultimate source for the curriculum and its requirements.

Current curriculum layout encourages students to pursue minors with a path to graduate in 4 years. Most suitable minors are:

- Minor in Optical Science & Engineering - requiring only 1 additional credits if courses used for Eng. Electives
- Minor in Mathematics or Minor in Engineering Management - requiring 12 additional credits
- Minor in Environmental Engineering - requiring 9 additional credits



Sample Curriculum Credit Count

Semester 1: 16

Semester 2: 16

Semester 3: 16

Semester 4: 17

Semester 5: 14

Semester 6: 13

Semester 7: 15

Semester 8: 13